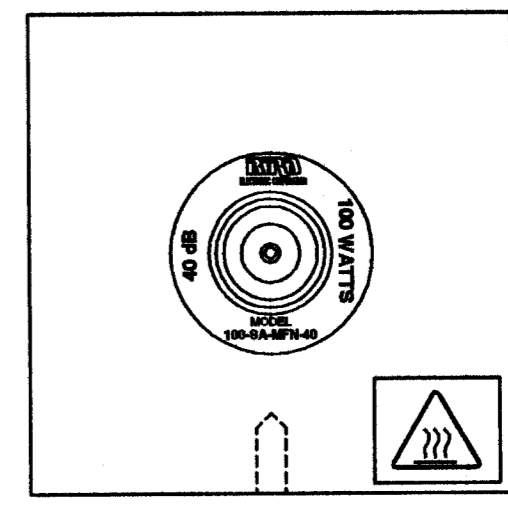
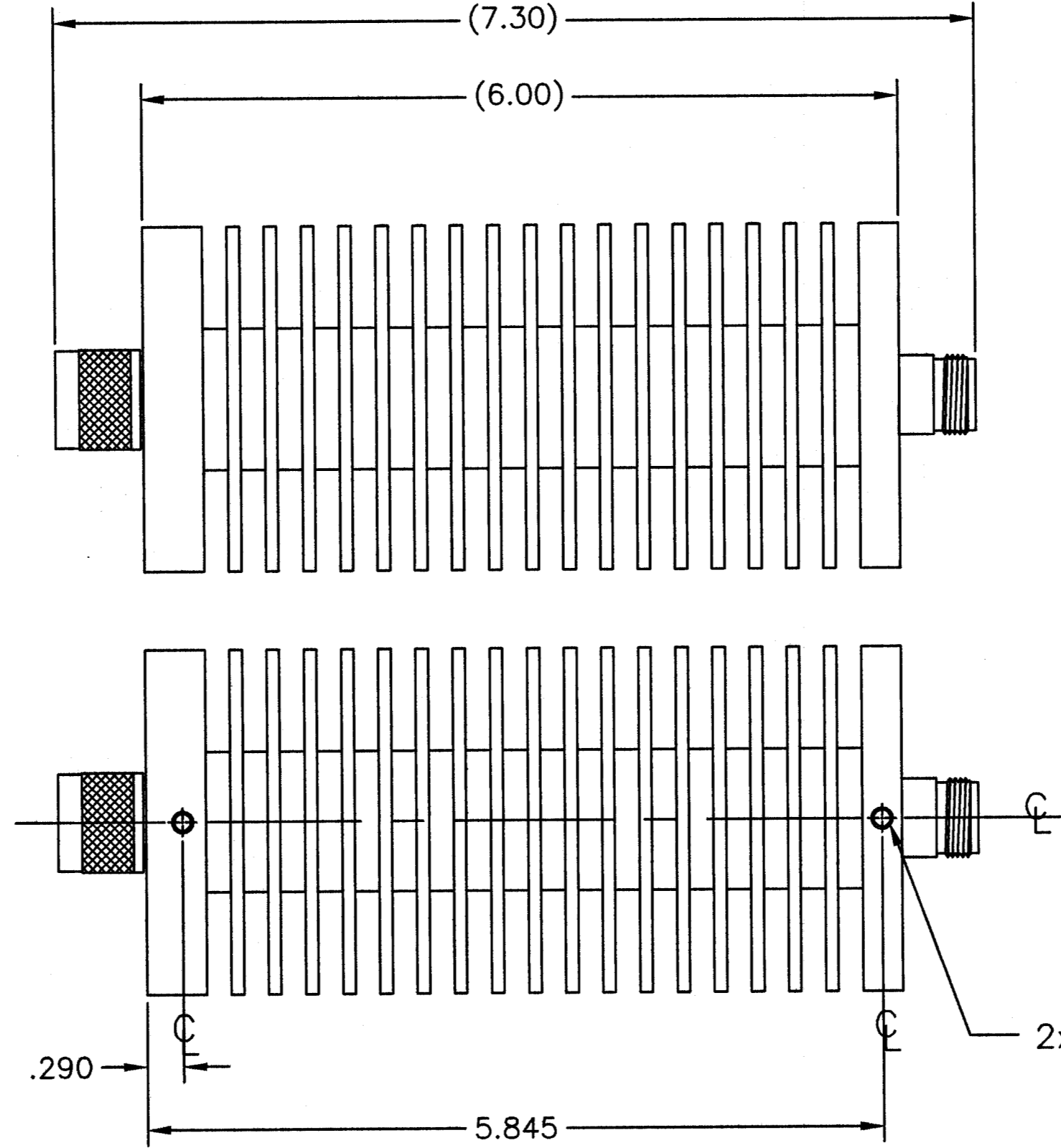
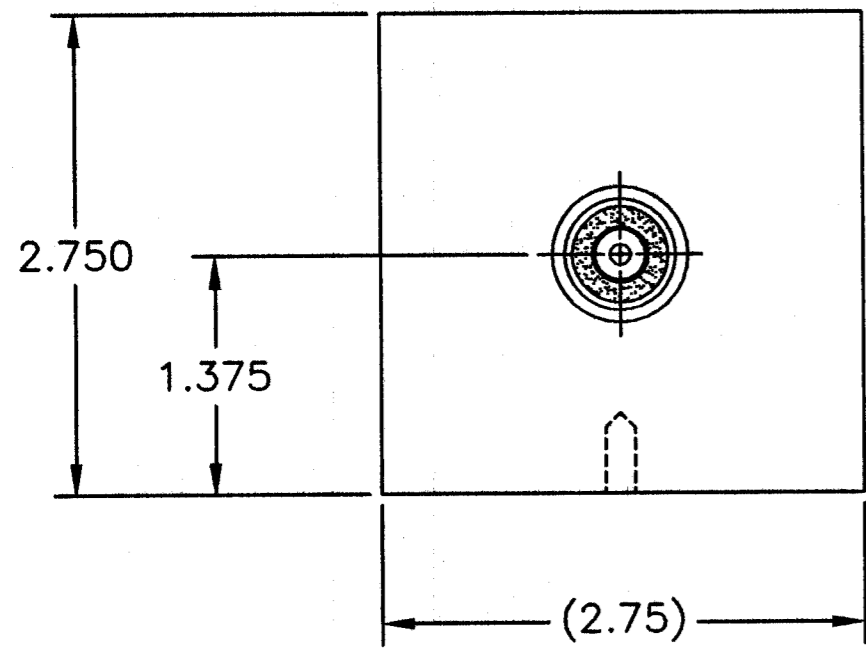


REVISIONS		DWG. NO.	100-SA-MFN-40	SHEET	REV
ZONE	REV	DESCRIPTION	DATE	APPROVED	
	A	CONVERT TO BEC FORMAT	DMR 3-6-03	MEJ	

SPECIFICATIONS:
 IMPEDANCE: 50 OHMS NOMINAL
 FREQUENCY RANGE: DC TO 2.4GHz
 ATTENUATION VALUE: 40dB
 VSWR AND ATTENUATION ACCURACY:
 DC TO 1GHz AT 1.10:1, ±1.0dB
 1GHz TO 2.4GHz AT 1.25:1, ±1.5dB
 POWER RATING: 100 WATTS MAX. @ 40°C. (BI-DIRECTIONAL)
 125 WATTS MAX. @ 25°C.
 COOLING FIN: ALUMINUM, BLACK ANODIZED
 HEAT SPREADER: ALUMINUM, SILVER PLATED
 CONNECTORS: N-TYPE MALE/FEMALE, TRI-ALLOY PLATED
 OPERATING POSITION: ANY
 NOMINAL SIZE: APPROX. 7.30" L. X 2.75" SQ.
 WEIGHT: APPROX. 45 OZ.



2x 6-32UNC-2B X .375 DEEP

DIMENSIONS HEREON ARE FOR CUSTOMER
 CONVENIENCE AND REFERENCE ONLY.
 TOLERANCE TO BE APPLIED ONLY WHERE
 INDIVIDUALLY STATED ON THE RESPECTIVE
 DIMENSION. -DO NOT SCALE DRAWING-

- NOTES:
- ☒ 1. PART MUST BE BURR FREE.
 - ☒ 2. CHAMFER 1st THREAD.
 - ☒ 3. 63 MICROINCH UNLESS OTHERWISE SPECIFIED.
 - ☐ 4. PER BPS _____.
 - ☒ 5. .005 RADIUS ON ALL INSIDE & OUTSIDE CORNERS UNLESS OTHERWISE SPECIFIED.

UNLESS OTHERWISE SPECIFIED DIMENSIONS ARE IN INCHES TOLERANCES ARE: FRACTIONS DECIMALS ANGLES $\pm 1/64$ $\pm .010$ $\pm 30'$ $\pm .005$	MILLIMETERS $X = \pm .4$ $XX = \pm .12$	THIS DRAWING IS THE PROPERTY OF THE BIRD ELECTRONIC CORPORATION. THE DESIGNS AND SPECIFICATIONS DISCLOSED HEREON ARE PROPRIETARY AND SHALL NOT BE REPRODUCED, NOR COPIED, NOR USED AS THE BASIS FOR THE MANUFACTURE OR SALE OF APPARATUS OR DEVICES WITHOUT THEIR EXPRESS WRITTEN CONSENT.	BIRD Electronic Corporation Cleveland (Solon) Ohio USA
DO NOT SCALE DRAWING		APPROVALS DRAWN D.M.RINK CHECKED APPROVED MEJ DATE 3-6-03 DATE 6-15-03 AUTOCAD	TITLE ATTENUATOR, AXIAL, CONVECTION COOLED N-TYPE MALE/FEMALE, 40 dB, 100W
MATERIAL	FINISH	SIZE C FSCM NO. 70998 SCALE 1:1	DWG. NO. 100-SA-MFN-40 REV A COMM CODE AT1 SHEET 1 OF 1